

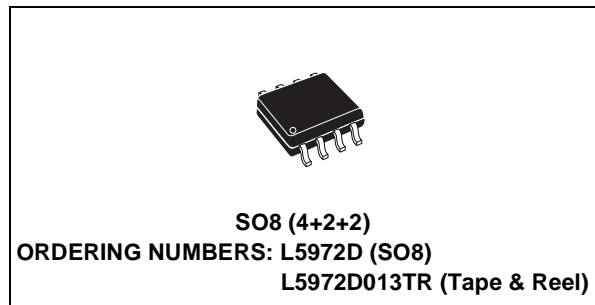


2A SWITCH STEP DOWN SWITCHING REGULATOR

- 2A INTERNAL SWITCH
- OPERATING INPUT VOLTAGE FROM 4.4V TO 36V
- OUTPUT VOLTAGE ADJUSTABLE FROM 1.235V TO 35V
- LOW DROPOUT OPERATION: 100% DUTY CYCLE
- 250KHz INTERNALLY FIXED FREQUENCY
- VOLTAGE FEEDFORWARD
- ZERO LOAD CURRENT OPERATION
- INTERNAL CURRENT LIMITING
- PROTECTION AGAINST FEEDBACK DISCONNECTION
- THERMAL SHUTDOWN

APPLICATIONS:

- CONSUMER: STB, DVD, TV, VCR, CAR RADIO, LCD MONITORS
- NETWORKING: XDSL, MODEMS, DC-DC MODULES
- COMPUTER: PRINTERS, AUDIO/GRAPHIC CARDS, OPTICAL STORAGE, HARD DISK DRIVE
- INDUSTRIAL: CHARGERS, CAR BATTERY DC-DC CONVERTERS



DESCRIPTION

The L5972D is a step down monolithic power switching regulator with a minimum switch current limit of 2A so it is able to deliver more than 1.5A DC current to the load depending on the application conditions.

The output voltage can be set from 1.235V to 35V.

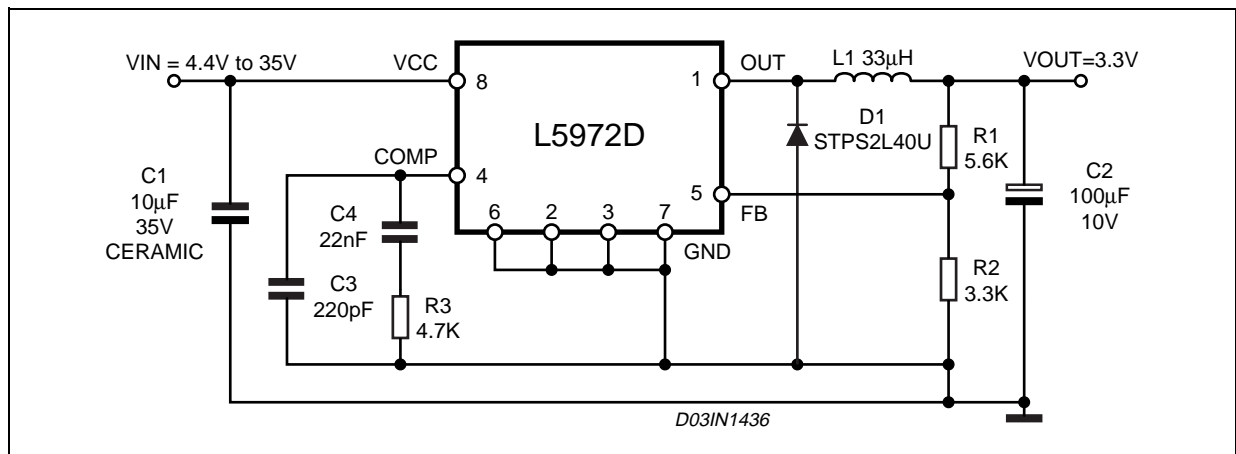
The device uses an internal P-Channel D-MOS transistor (with a typical $R_{ds(on)}$ of 250m Ω) as switching element to minimize the size of the external components.

An internal oscillator fixes the switching frequency at 250KHz.

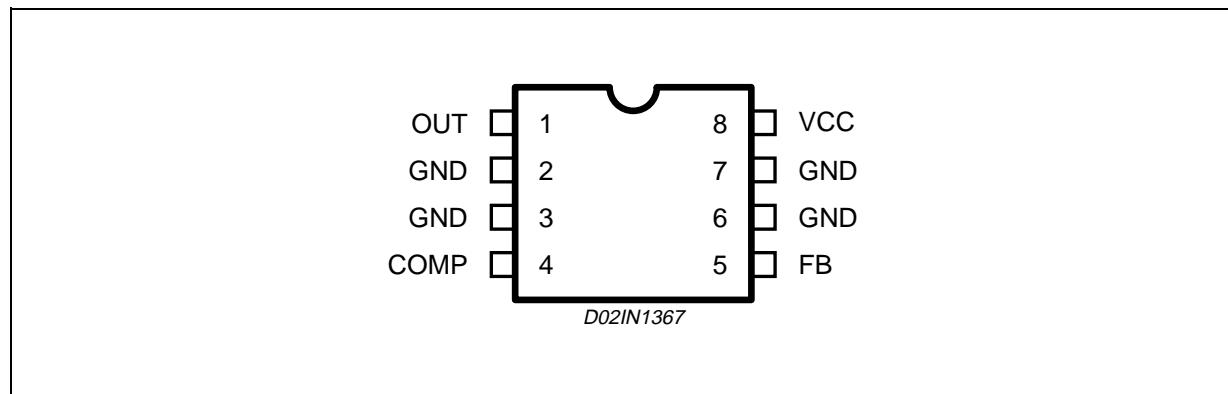
Having a minimum input voltage of 4.4V only, it is particularly suitable for 5V bus, available in all computer related applications.

Pulse by pulse current limit with the internal frequency modulation offers an effective constant current short circuit protection.

TEST APPLICATION CIRCUIT



PIN CONNECTION



PIN DESCRIPTION

N°	Pin	Function
1	OUT	Regulator Output.
2,3,6,7	GND	Ground.
4	COMP	E/A output for frequency compensation.
5	FB	Feedback input. Connecting directly to this pin results in an output voltage of 1.23V. An external resistive divider is required for higher output voltages.
8	VCC	Unregulated DC input voltage.

THERMAL DATA

Symbol	Parameter	Value	Unit
$R_{th(j-amb)}$	Thermal Resistance Junction to ambient	Max. 65 (*)	°C/W

(*) Package mounted on board (4cm² ground-plane)

ABSOLUTE MAXIMUM RATINGS

Symbol	Parameter	Value	Unit
V_8	Input Voltage	40	V
V_1	Out pin DC voltage Out pin peak voltage at $\Delta t = 0.1\mu s$	-1 to 40 -5 to 40	V V
I_1	Maximum output current	int. limit.	
V_4, V_5	Analog pins	4	V
P_{tot}	Power dissipation at $T_{amb} \leq 70^\circ C$	1.2	W
T_j	Operating junction temperature range	-40 to 150	°C
T_{stg}	Storage temperature range	-55 to 150	°C

ELECTRICAL CHARACTERISTICS ($T_j = 25^\circ\text{C}$, $V_{CC} = 12\text{V}$, unless otherwise specified.)(*) Specification Referred to T_j from -40 to 125°C .

Symbol	Parameter	Test Condition		Min.	Typ.	Max.	Unit
V_{CC}	Operating input voltage range	$V_o = 1.235\text{V}$; $I_o = 1.5\text{A}$	*	4.4		36	V
V_d	Dropout voltage	$V_{CC} = 4.4\text{V}$; $I_o = 1.5\text{A}$	*		0.375	0.75	V
I_l	Maximum limiting current	$V_{CC} = 4.4\text{V}$ to 36V	*	2	2.5	3	A
f_s	Switching frequency		*	212	250	280	KHz
				225	250	275	KHz
	Duty cycle			0		100	%
DYNAMIC CHARACTERISTICS (see test circuit).							
V_5	Voltage feedback	$4.4\text{V} < V_{CC} < 36\text{V}$, $20\text{mA} < I_o < 1.5\text{A}$		1.220	1.235	1.25	V
			*	1.198	1.235	1.272	V
h	Efficiency	$V_o = 5\text{V}$, $V_{CC} = 12\text{V}$			90		%
DC CHARACTERISTICS							
I_{qop}	Total operating quiescent current		*		3	5	mA
I_q	Quiescent current	Duty Cycle = 0; $V_{FB} = 1.5\text{V}$				2.5	mA
ERROR AMPLIFIER							
V_{OH}	High level output voltage	$V_{FB} = 1\text{V}$		3.5			V
V_{OL}	Low level output voltage	$V_{FB} = 1.5\text{V}$				0.4	V
$I_{o\ source}$	Source output current	$V_{COMP} = 1.9\text{V}$; $V_{FB} = 1\text{V}$		200	300		μA
$I_{o\ sink}$	Sink output current	$V_{COMP} = 1.9\text{V}$; $V_{FB} = 1.5\text{V}$		1	1.5		mA
I_b	Source bias current				2.5	4	μA
	DC open loop gain	$R_L = \infty$		50	65		dB
gm	Transconductance	$I_{comp} = -0.1\text{mA}$ to 0.1mA $V_{COMP} = 1.9\text{V}$			2.3		mS

Figure 1. Output Voltage vs. Junction Temperature

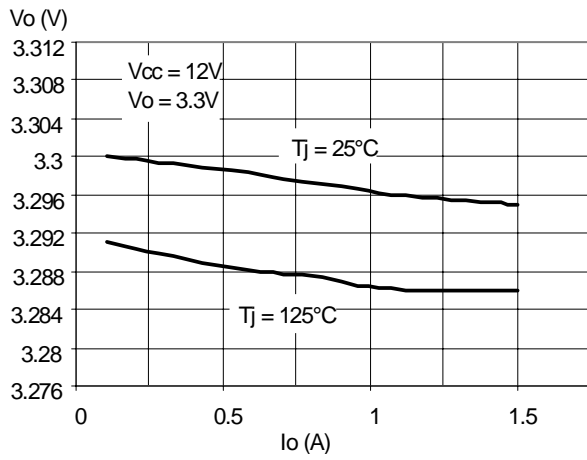


Figure 2. Line Regulation

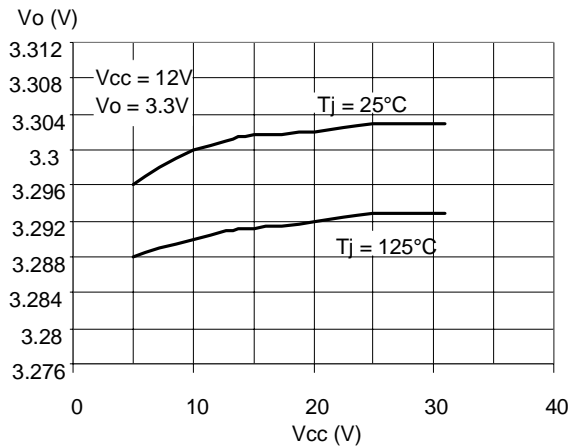


Figure 3. Output Voltage vs. Junction Temperature

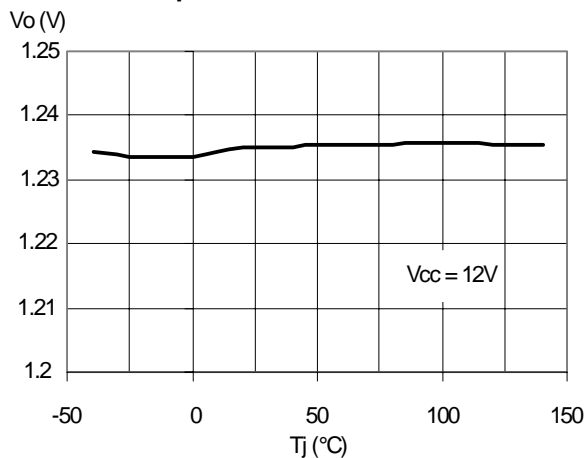


Figure 4. Quiescent Current vs. Junction Temperature

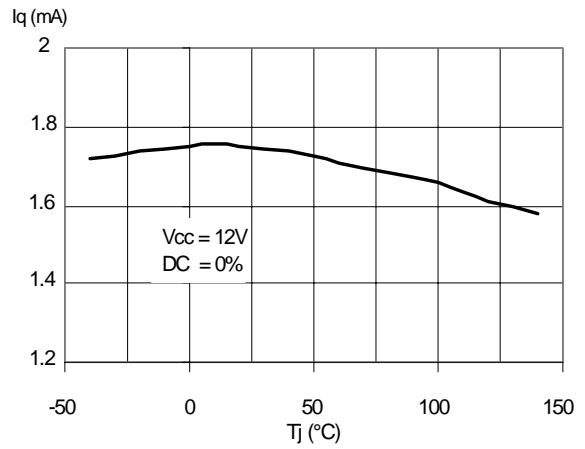


Figure 5. Shutdown Current vs. Junction Temperature

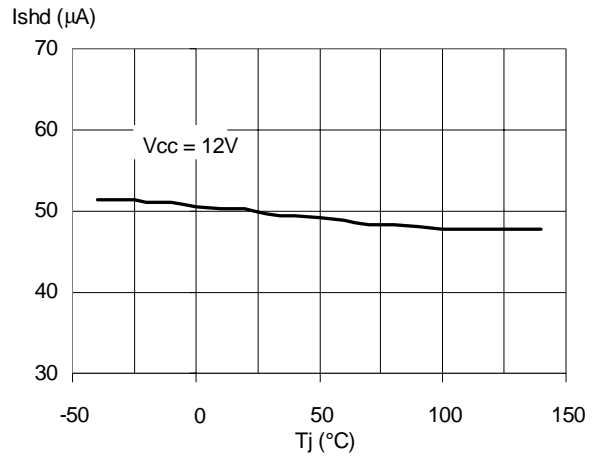
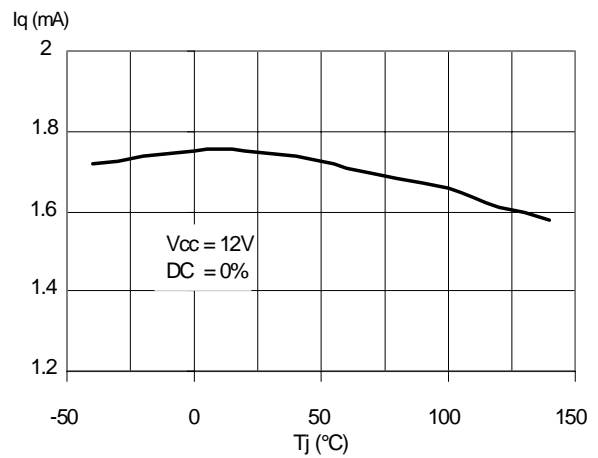


Figure 6. Switching Frequency vs. Junction Temperature



APPLICATION CIRCUIT

In figure 7 is shown the demo board application circuit for the device in SMD version, where the input supply voltage, V_{CC} , can range from 4.4V to 25V due to the rated voltage of the input capacitor and the output voltage is adjustable from 1.235V to V_{CC} .

Figure 7. Demo board Application Circuit

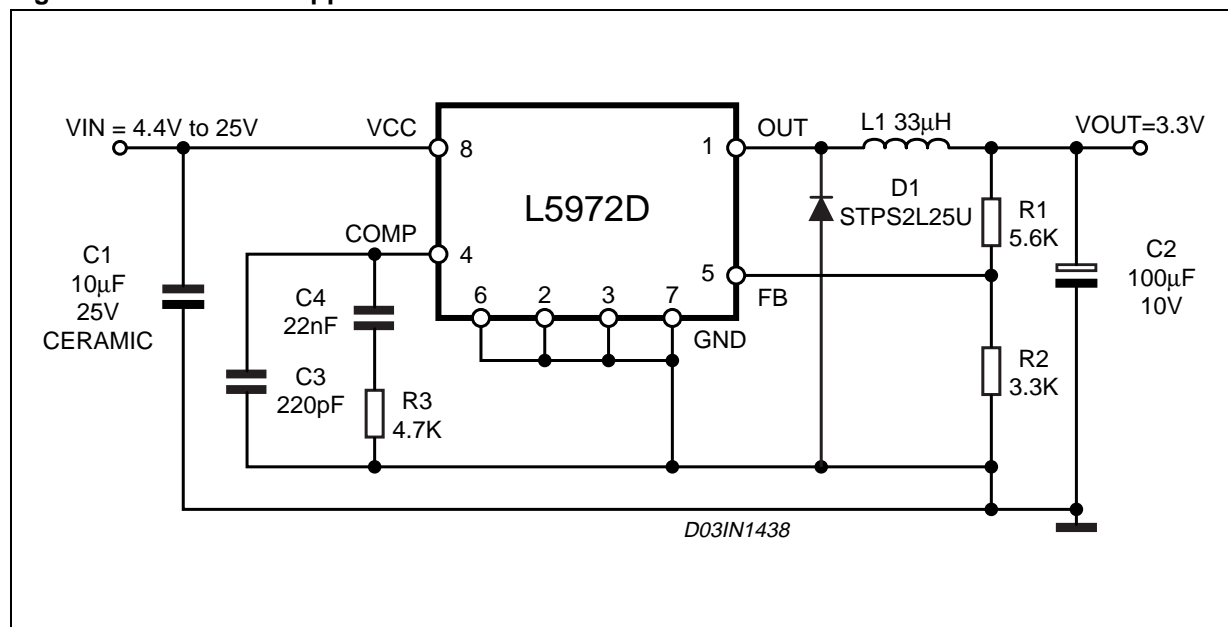


Table 1. Component List

Reference	Part Number	Description	Manufacturer
C1		10µF, 25V	TOKIN
C2	POSCAP 10TPB100M	100µF, 10V	Sanyo
C3	C1206C221J5GAC	220pF, 5%, 50V	KEMET
C4	C1206C223K5RAC	22nF, 10%, 50V	KEMET
R1		5.6K, 1%, 0.1W 0603	Neohm
R2		3.3K, 1%, 0.1W 0603	Neohm
R3		4.7K, 1%, 0.1W 0603	Neohm
D1	STPS2L25U	2A, 25V	ST
L1	DO3316P-333	33µH, 2.1A	COILCRAFT

Figure 8. PCB layout (component side)

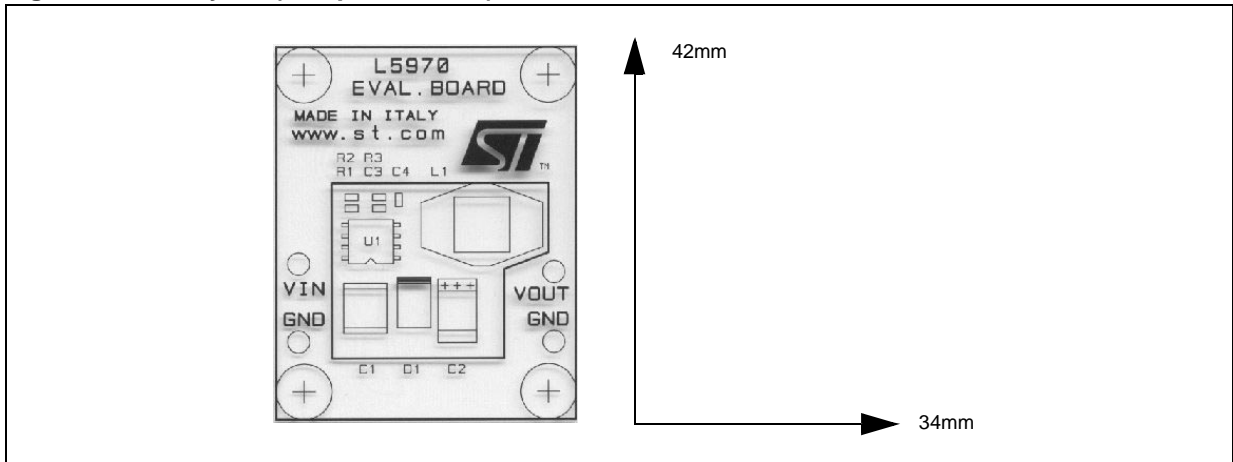


Figure 9. PCB layout (bottom side)

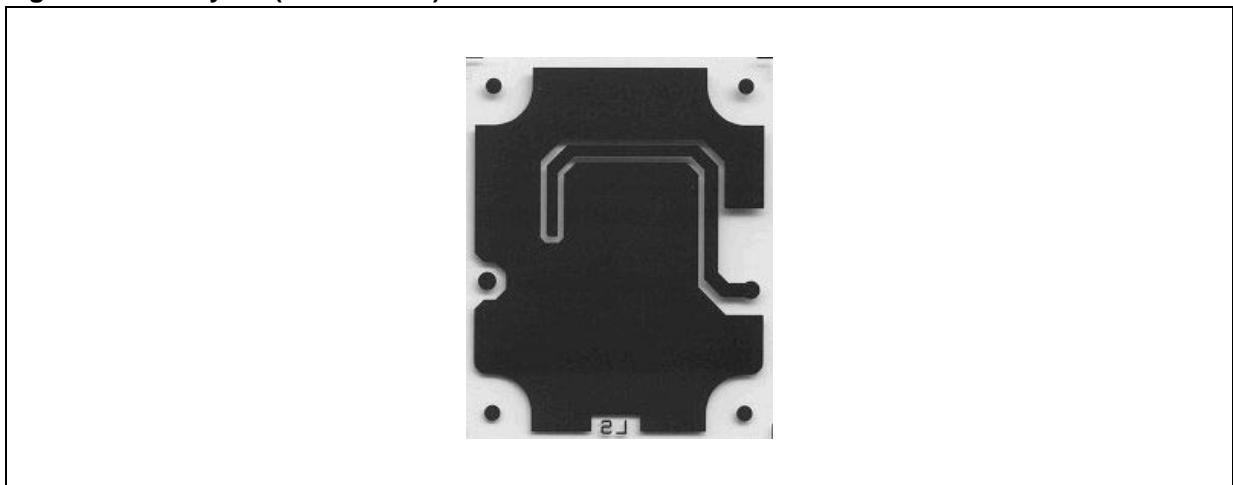
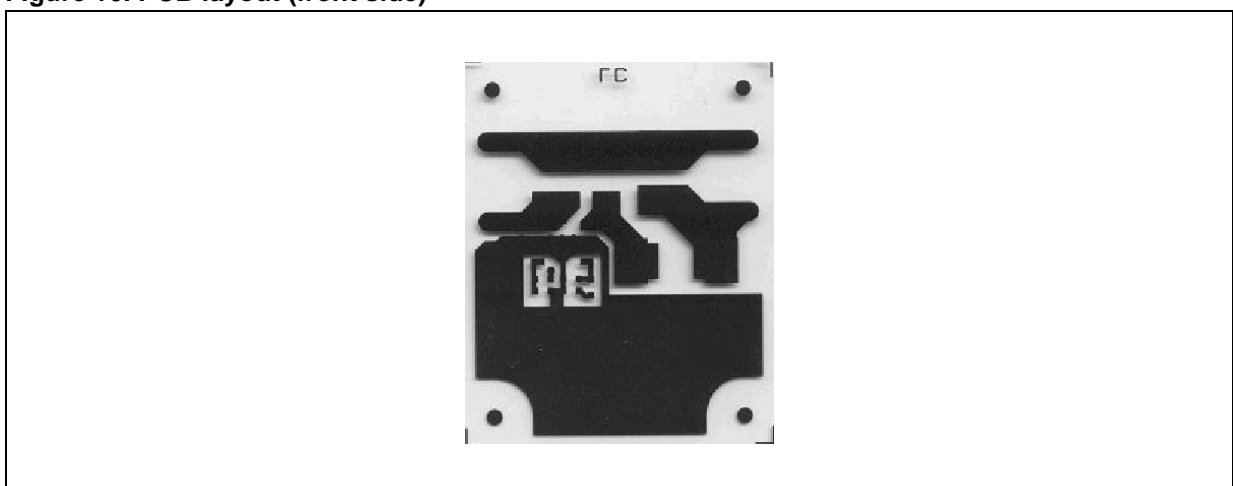


Figure 10. PCB layout (front side)



Sideways two graphs show the T_j versus output current in different conditions of the input and output voltage.

Figure 11. Junction Temperature vs. Output Current

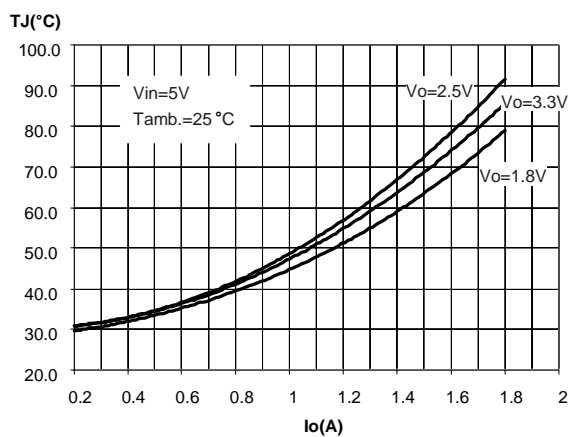


Figure 13. Efficiency vs. Output Current

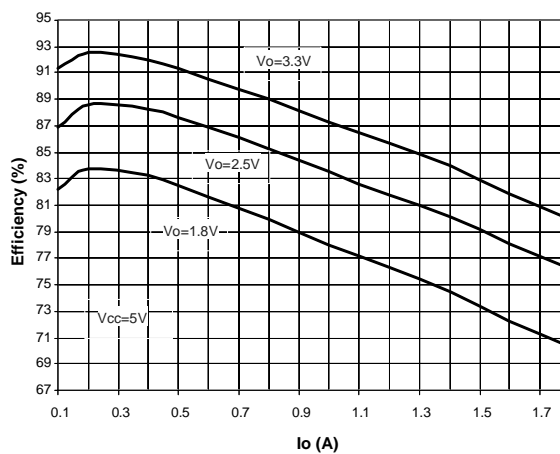


Figure 12. Junction Temperature vs. Output Current

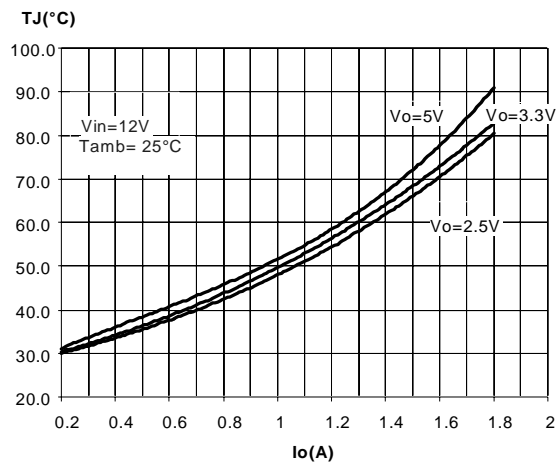
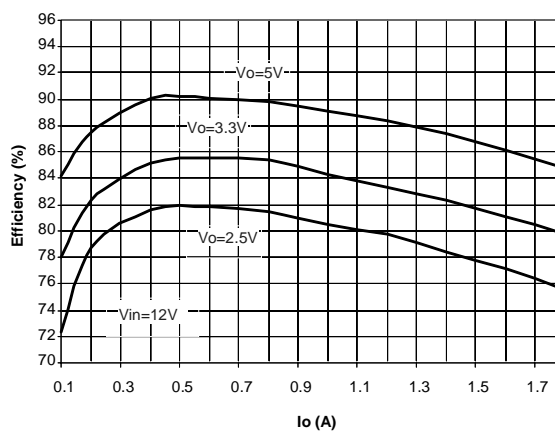


Figure 14. Efficiency vs. Output Current



APPLICATION IDEAS

Figure 15. Positive Buck-Boost regulator

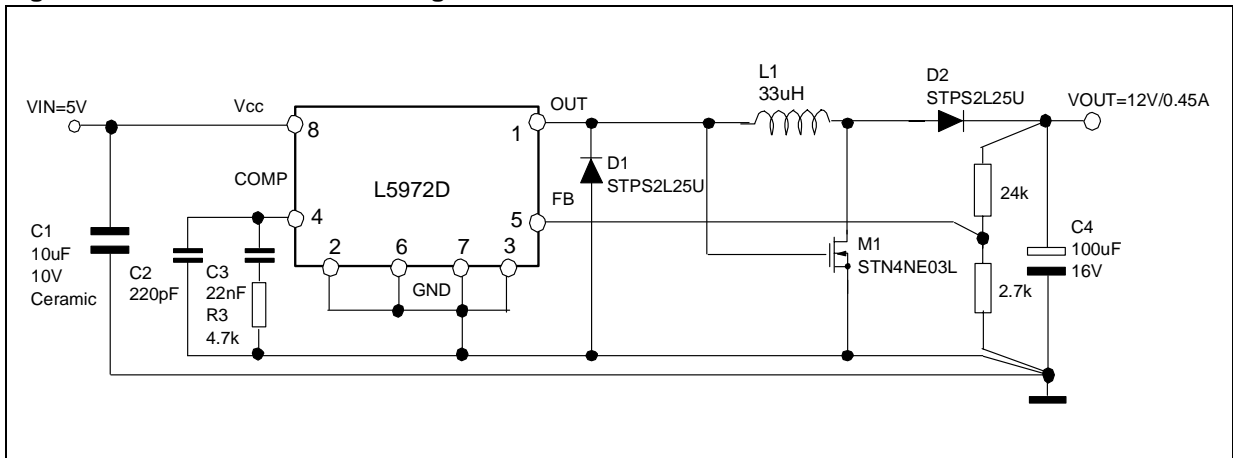


Figure 16. Buck-Boost regulator

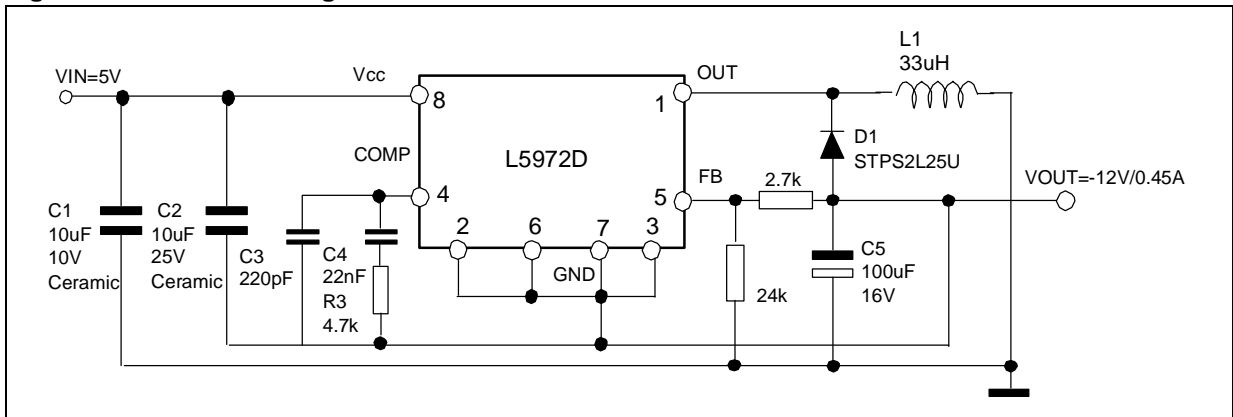
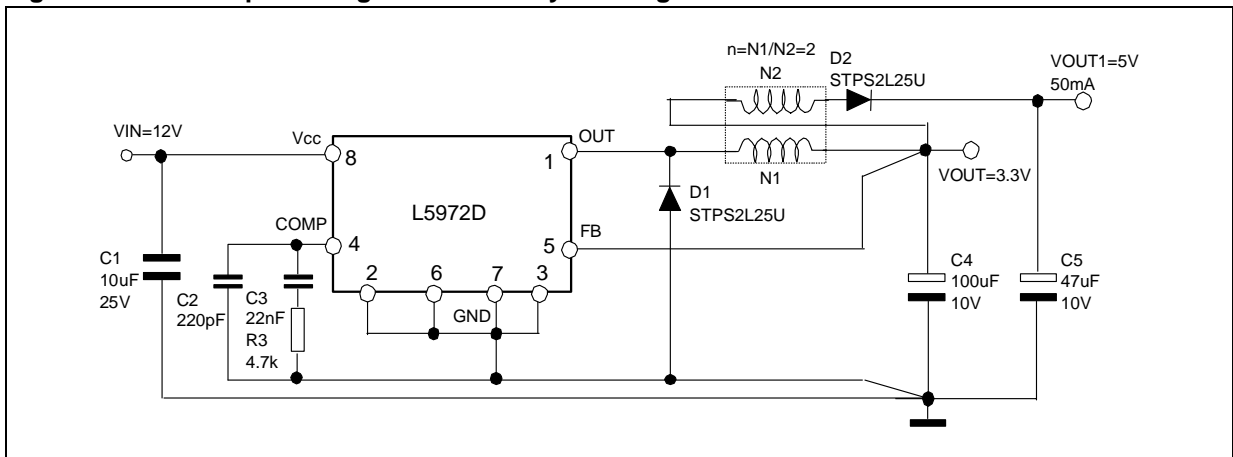


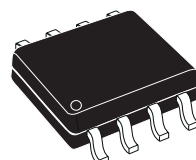
Figure 17. Dual output voltage with auxiliary winding



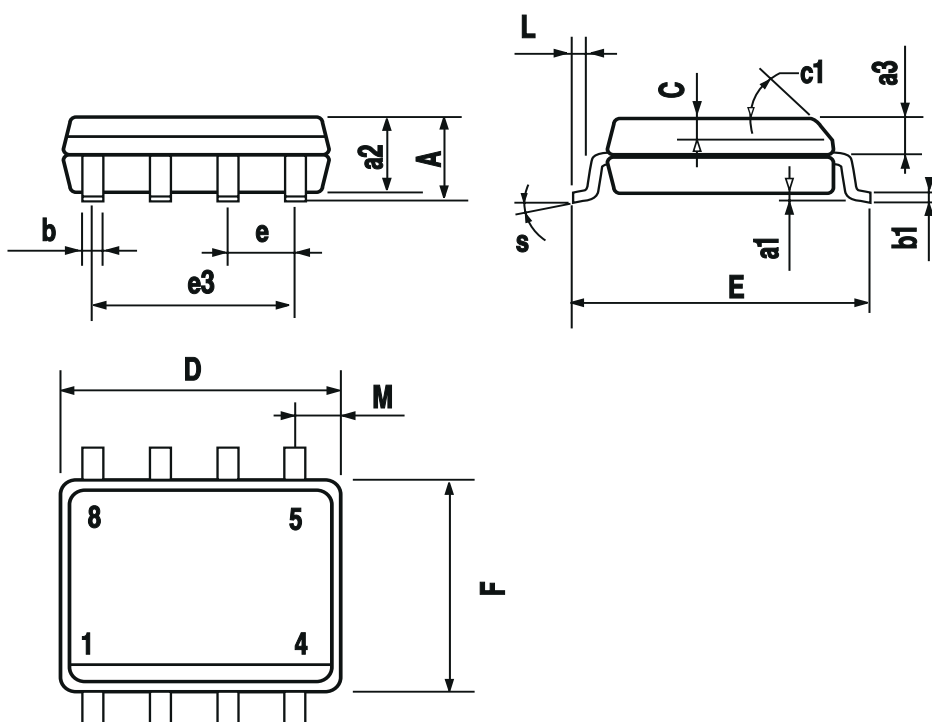
DIM.	mm			inch		
	MIN.	TYP.	MAX.	MIN.	TYP.	MAX.
A			1.75			0.069
a1	0.1		0.25	0.004		0.010
a2			1.65			0.065
a3	0.65		0.85	0.026		0.033
b	0.35		0.48	0.014		0.019
b1	0.19		0.25	0.007		0.010
C	0.25		0.5	0.010		0.020
c1	45° (typ.)					
D (1)	4.8		5.0	0.189		0.197
E	5.8		6.2	0.228		0.244
e		1.27			0.050	
e3		3.81			0.150	
F (1)	3.8		4.0	0.15		0.157
L	0.4		1.27	0.016		0.050
M			0.6			0.024
S	8° (max.)					

(1) D and F do not include mold flash or protrusions. Mold flash or protrusions shall not exceed 0.15mm (.006inch).

OUTLINE AND MECHANICAL DATA



SO8



Information furnished is believed to be accurate and reliable. However, STMicroelectronics assumes no responsibility for the consequences of use of such information nor for any infringement of patents or other rights of third parties which may result from its use. No license is granted by implication or otherwise under any patent or patent rights of STMicroelectronics. Specifications mentioned in this publication are subject to change without notice. This publication supersedes and replaces all information previously supplied. STMicroelectronics products are not authorized for use as critical components in life support devices or systems without express written approval of STMicroelectronics.

The ST logo is a registered trademark of STMicroelectronics
© 2003 STMicroelectronics - All Rights Reserved

STMicroelectronics GROUP OF COMPANIES
Australia - Brazil - Canada - China - Finland - France - Germany - Hong Kong - India - Israel - Italy - Japan -Malaysia - Malta - Morocco -
Singapore - Spain - Sweden - Switzerland - United Kingdom - United States.
<http://www.st.com>